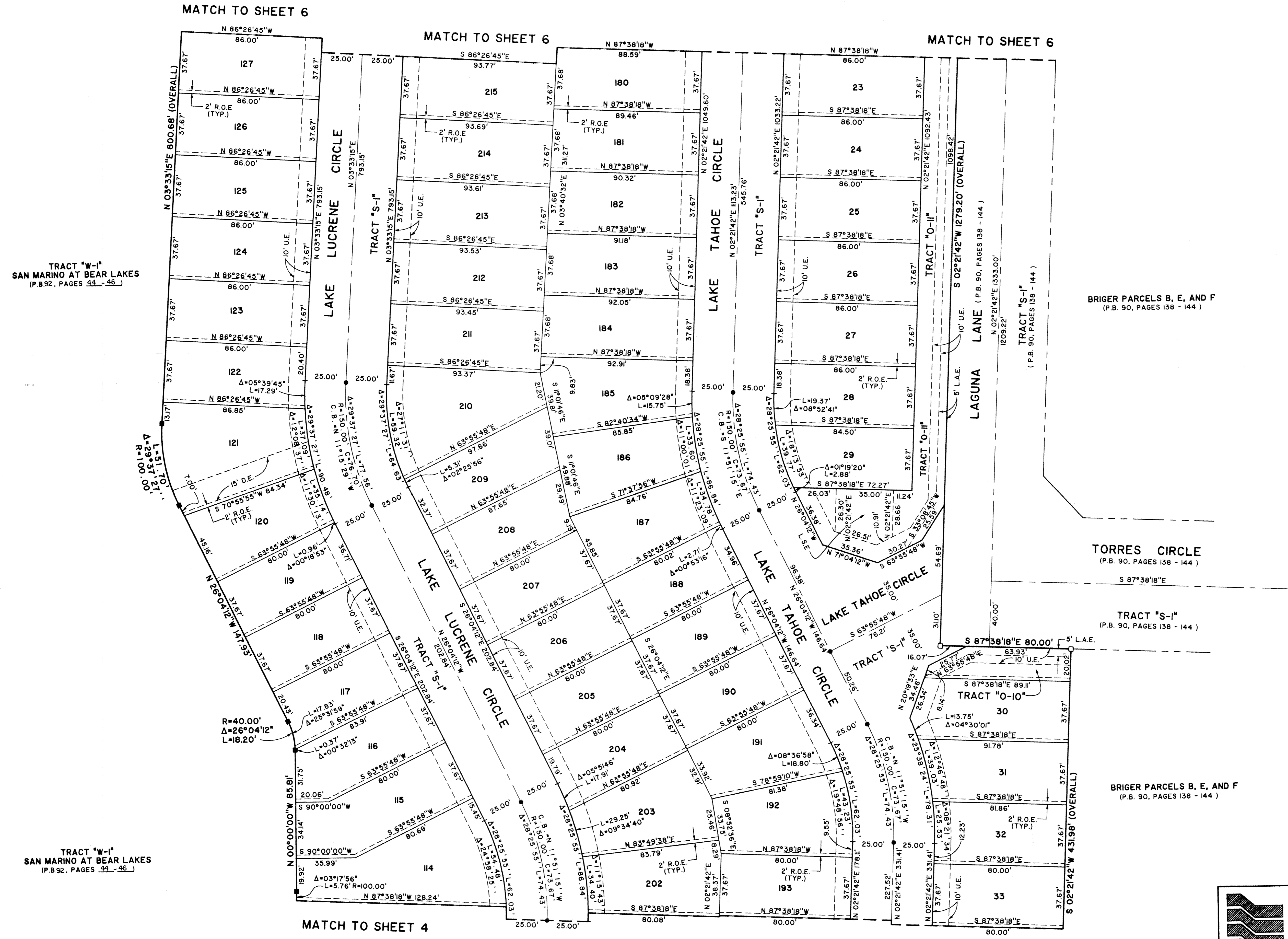


BRIGER PARCELS G, H AND J

BEING A REPLAT OF A PORTION OF BRIGER TRACT PLAT NO. 1, AS RECORDED IN PLAT BOOK 54, PAGE 35,
PUBLIC RECORDS OF PALM BEACH COUNTY, FLORIDA, LYING IN SECTION 12, TOWNSHIP 43 SOUTH, RANGE 42 EAST,
CITY OF WEST PALM BEACH, PALM BEACH COUNTY, FLORIDA.
SHEET 5 OF 7

STATE OF FLORIDA SS
COUNTY OF PALM BEACH
THIS PLAT WAS FILED FOR RECORD AT _____
M, THIS _____ DAY OF _____ 2001
AND DULY RECORDED IN PLAT BOOK NO. _____
ON PAGE _____
DOROTHY H. WILKEN,
CLERK OF THE CIRCUIT COURT
BY _____ D.C.



TRACT "W-I"
SAN MARINO AT BEAR LAKES
(P.B. 92, PAGES 44 - 46)

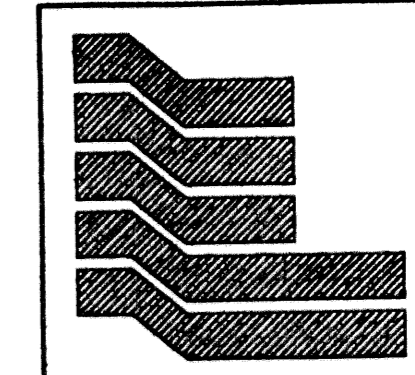
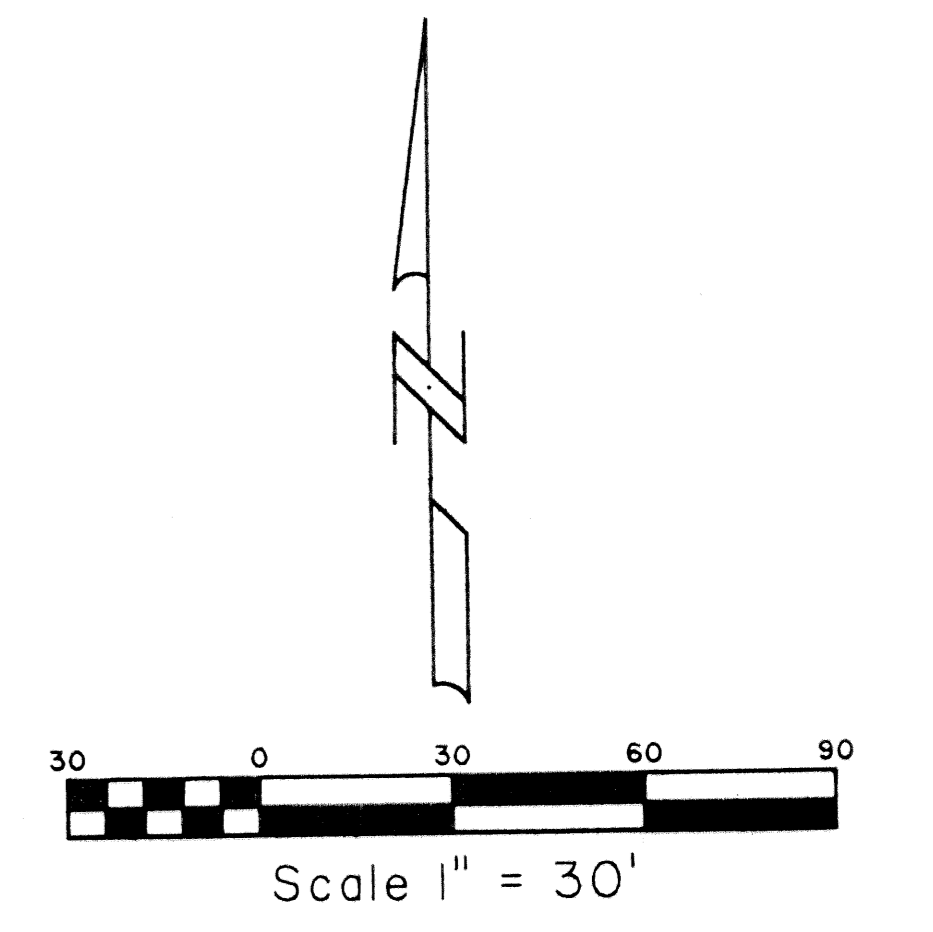
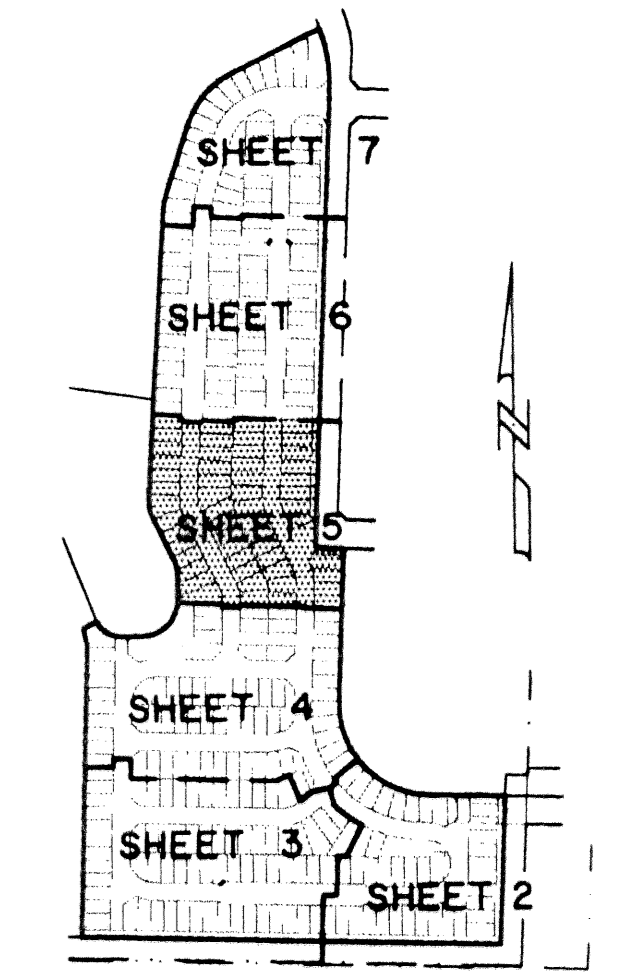
TRACT "W-I"
SAN MARINO AT BEAR LAKES
(P.B. 92, PAGES 44 - 46)

BRIGER PARCELS B, E, AND F
(P.B. 90, PAGES 138 - 144)

TORRES CIRCLE
(P.B. 90, PAGES 138 - 144)

TRACT "S-I"
(P.B. 90, PAGES 138 - 144)

BRIGER PARCELS B, E, AND F
(P.B. 90, PAGES 138 - 144)



Landmark Surveying & Mapping Inc.
1850 Forest Hill Boulevard
Ph. (561) 433-5405 Suite 100 W.P.B. Florida
LB # 4396

BRIGER PARCELS G, H, AND J